

OCB - Banner Stand Case

OCB

This adjustable, hard molded case is the perfect protective shipping and/or storage case for a wide variety of banner stands. With an adjustable lid, the OCB case can hold banner stands up to 1000mm/39" in length.



3 Retractor 6's

features and benefits:

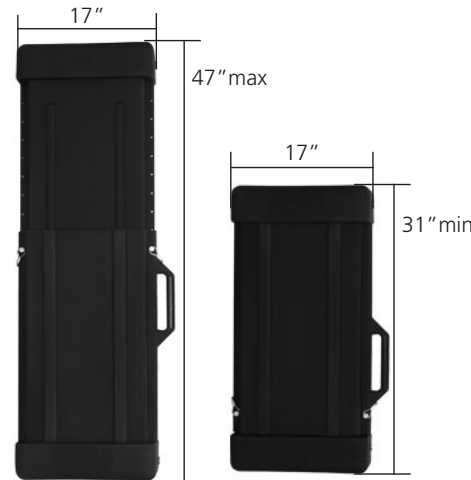
- Heavy-duty, adjustable banner stand shipping case
- Fits up to three swivel-foot banner stands
- Fits one premium banner stand
- Carry strap included
- Made from 100% recyclable materials
- Variable height
- Protective foam padding
- Made in the USA
- Ships in two-piece box

dimensions:

Hardware	Shipping
Interior: min: 28.375" h x 12" l x 3.375" w 720.7mm h x 304.8mm l x 85.7mm w max: 44.25" h x 12" l x 3.375" w 1124mm h x 304.8mm l x 85.7mm w	Shipping (in box): min: 32" x 18" x 7" 812.8mm x 457.2mm x 177.8mm max: 48" x 18" x 7" 1219.2mm x 457.2mm x 177.8mm
Exterior: min: 31" h x 17" l x 7" w 787.4mm h x 431.8mm l x 178mm w max: 47" h x 17" l x 7" w 1168.4mm h x 431.8mm l x 178mm w	Shipping (no box): min: 31" x 17" x 7" 787.4mm x 431.8mm x 178mm max: 47" x 17" x 7" 1193.8mm x 431.8mm x 178mm
	Empty: 9 lbs (12 lbs in box) 4 kg (5.4 kg in box)

additional information:

Banner stands that fit in case, including carry bags:			
Imagine	x1	Retractor 2	x3
Barracuda	x1	Retractor 5	x3
Excalibur	x1	Retractor 6	x3
Advance	x1		
Orient 1&2	x1	Spring 3	x4
Blade LX	x1	Spring 4	x4
Blade Lite	x1	Telescopic 1	x4
Elevate	x1		
Blok	x1	Spring 7	x5
Retractor 4	x1	Spring 6	x6
		Spring 1-1	x7
		Spring 1-2	x7
		Spring 1-3	x7
Pacific	x2		
Lightning	x2		
Contender	x2		
Pegasus	x2		
Telescopic 2	x2	*Will not house Orchid,	
Telescopic 3	x2	Dash, Uno, Retractor 10,	
Telescopic 4	x2	Contender 48 or Spring 5	



We are continually improving and modifying our product range and reserve the right to vary the specifications without prior notice. All dimensions and weights quoted are approximate and we accept no responsibility for variance. E&OE. See Graphic Templates for graphic bleed specifications.