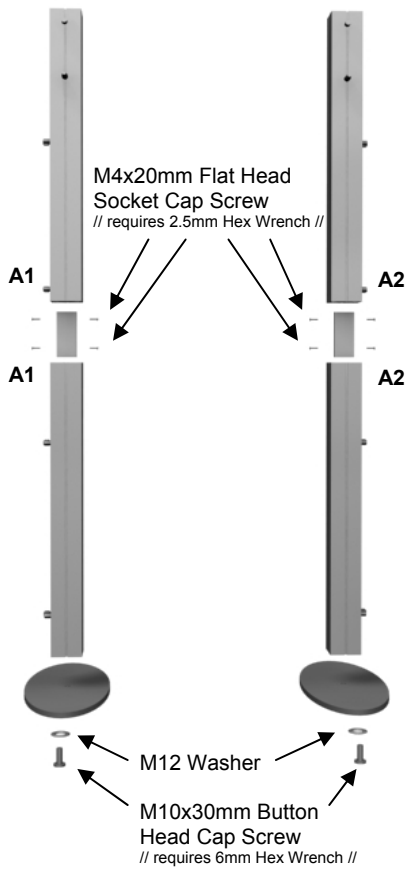
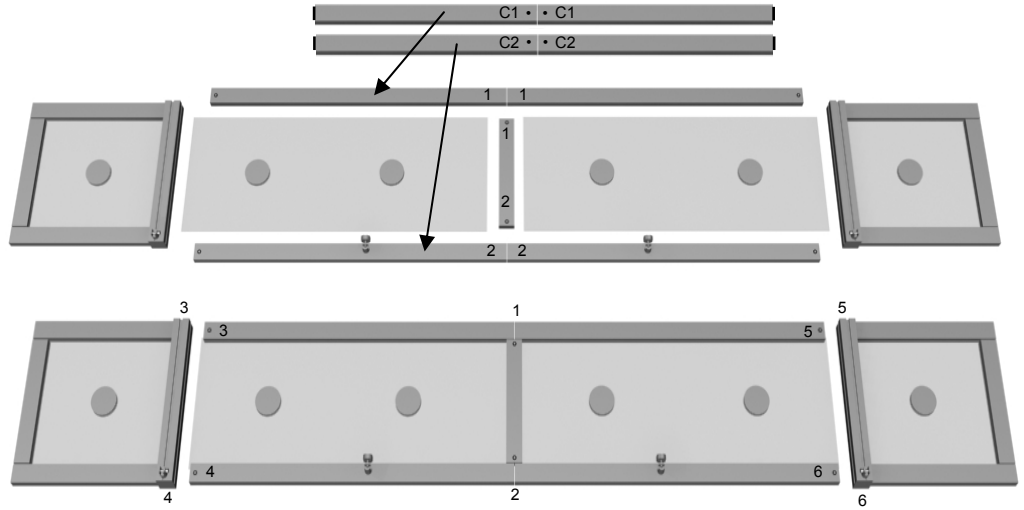


Step 1. Assemble left & right columns.



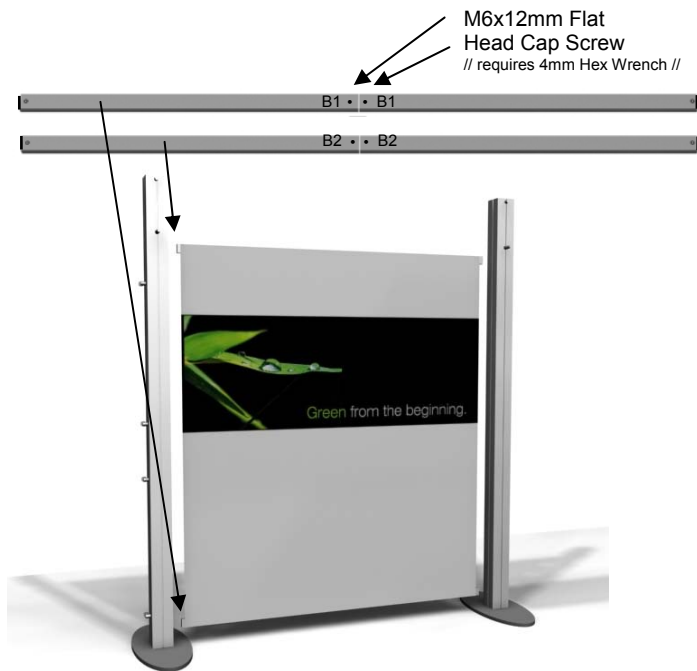
Step 3. Attach canopy cross bars; assemble canopy.



Step 4. Slide canopy on supports. Attach support Rods.



Step 2. Join 2-piece graphic bars together; attach top cross bar to column; align with arrow.



Step 1. Attach cross bars to round counter legs, tighten using **5mm hex key**.



Step 3. Attach counter to support using **2\" long 1/4\"-20 button head screw**, tighten using **5/32\" (4mm) hex key**.



Step 2. Attach support to column, tighten using **5mm hex key**.



Step 1. Attach Mount to Extrusion

Use x2 1/2" screws & x2 t-nuts.



(x2) AGAM style T-nut



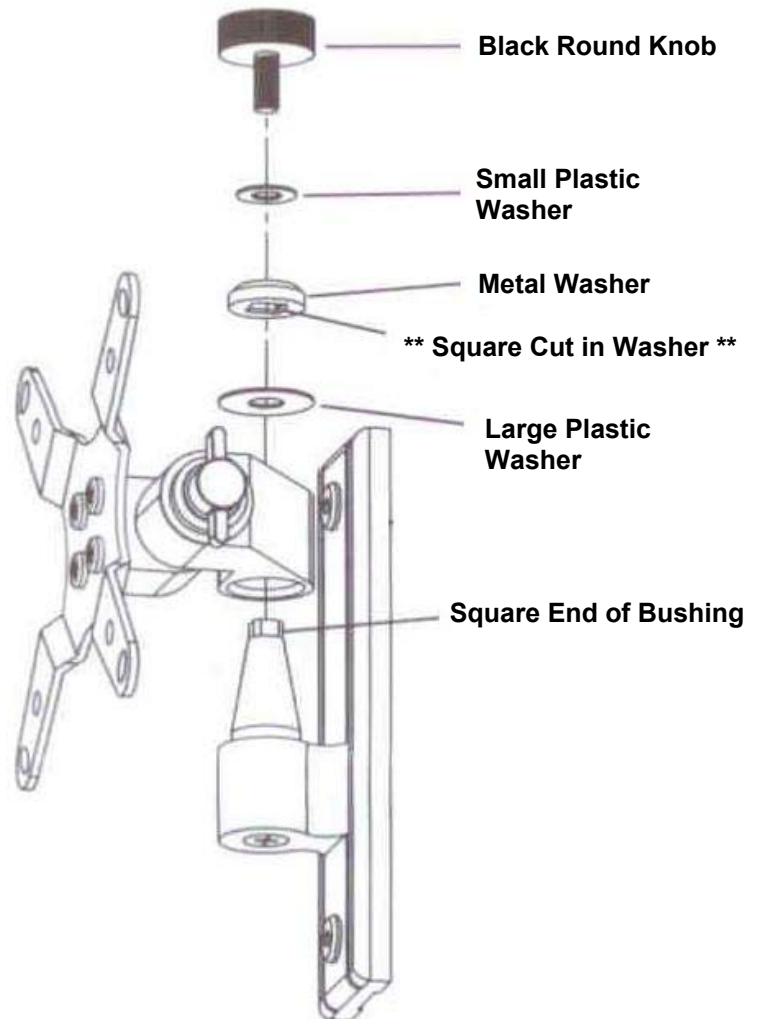
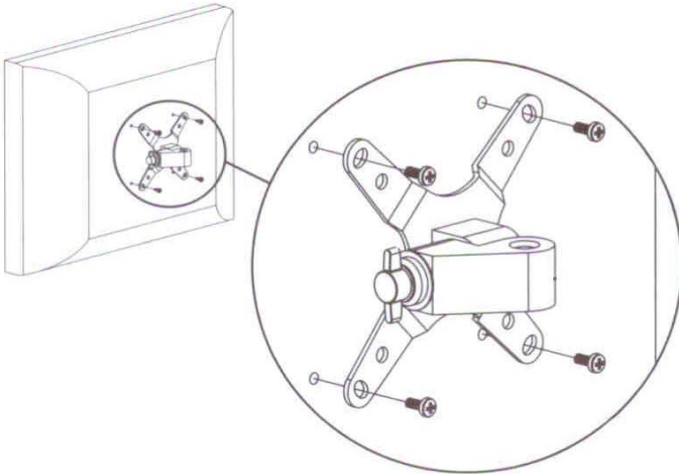
(x2) 1/4"-20 1/2" long
button head cap screw



****Check t-nut to assure proper alignment before attaching LCD****

Step 2. Attach LCD to Mount

Use four M4x10mm screws.

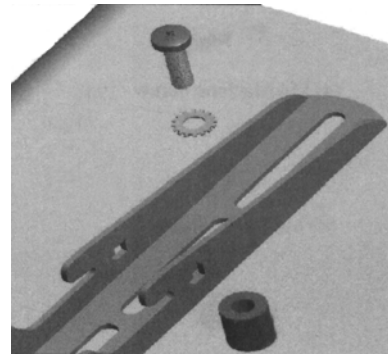


WARNING: DO NOT LAY TV FACE DOWN ON GLASS!

Step 1. Mount TV Rails to the back of the flat panel

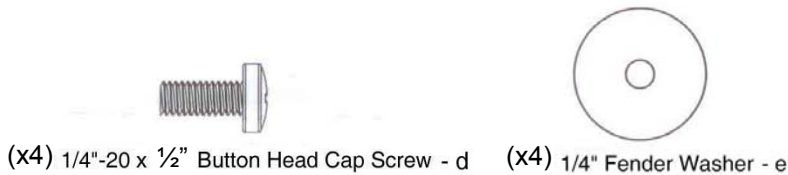
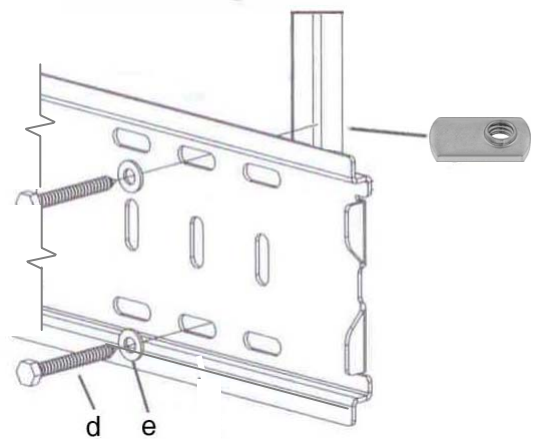
TV: Make sure the TV rails are mounted at an equal distance from the top of the TV and as close to centered as possible. Use same hole location on both rails. The M4 / M5 Washer should always be used with the M4 and M5 bolts so the head of the bolts can not pass through the holes in the TV rails. A 1/2" Plastic spacer is also provided for use with the M4 and M5 TV mount bolts and a 3/4" Plastic spacer is provided for use with the M6 and M8 TV mount bolts on TV's with curved or recessed back panels.

Plastic spacers are NOT needed for TV's with flat backs. Some TV's have shallow threaded inserts; we have provided 4 extra M4/M5 washers that may be added if the provided bolts are too long. **Make sure bolts are tight.**



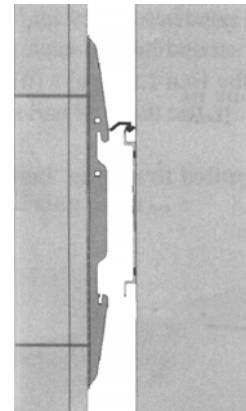
Step 2. Attach Wall Plate to Extrusions

Tighten 1/4"-20 x 1/2" Button Head Cap Screw using 5/32" Hex Key.



(x4) AGAM style t-nut - f

Step 3. Hang TV onto wall plate: First hook TV rails over the top of the wall plate, then let bottom of the TV rails rotate in under the bottom of the wall plate.



Step 4. Insert Safety Bar: Slide the safety bar into the slots in the bottom of the TV rails so that it sits behind the bottom tab on the Wall Plate as shown. The bend should face toward the wall. Once the bar passes out the other side of the Wall Plate a padlock can be added to the hole in the safety bar for added security.

