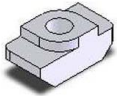


Step 1. Attach Mount to Extrusion

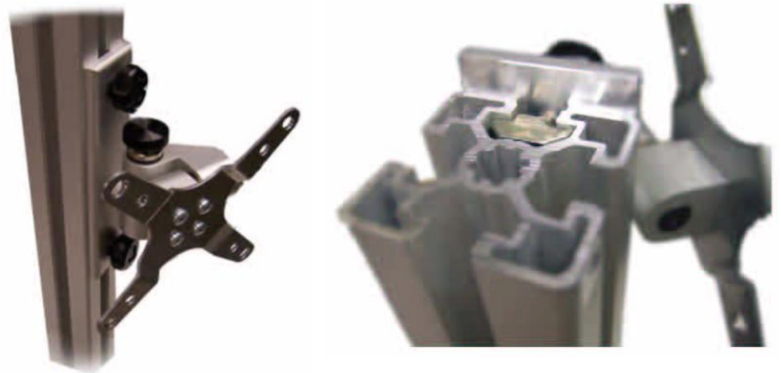
Use x2 short knobs & x2 t-nuts.



(x2) 10mm 1/4"-20 T-nut



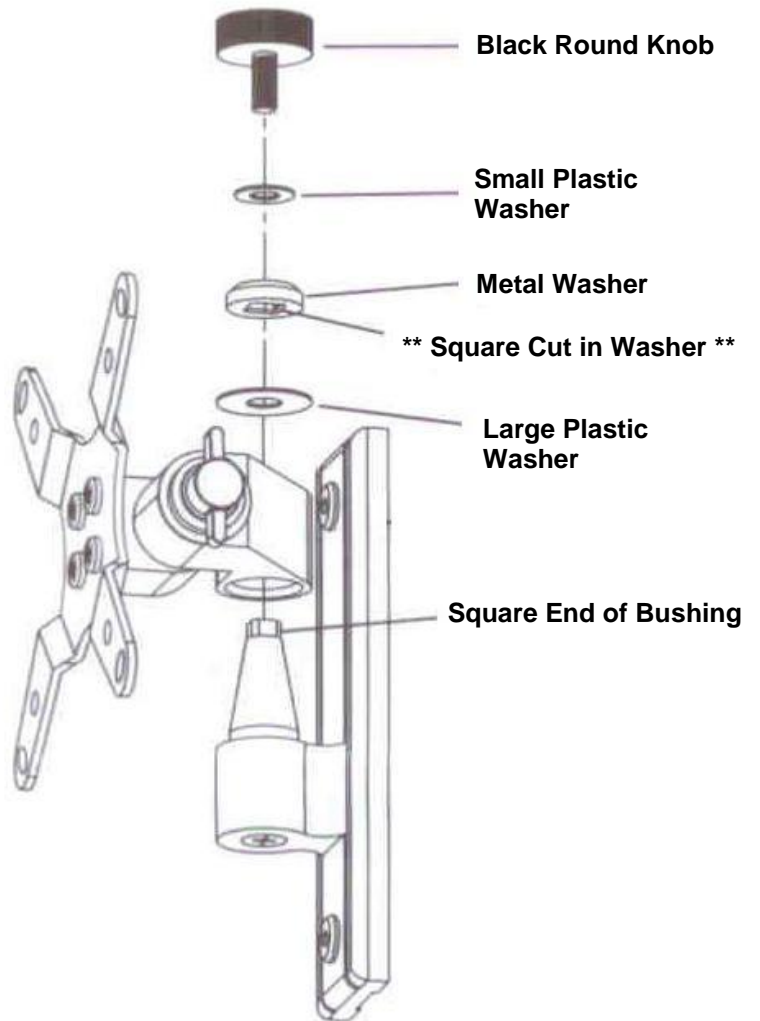
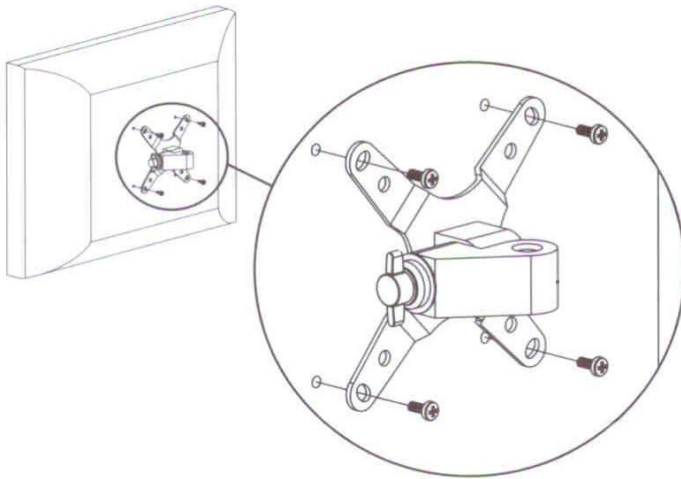
(x2) short knob



****Check t-nut to assure proper alignment before attaching LCD****

Step 2. Attach LCD to Mount

Use four M4x10mm screws.

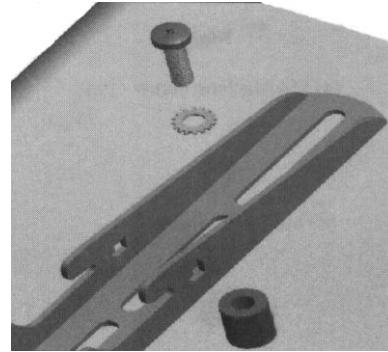


WARNING: DO NOT LAY TV FACE DOWN ON GLASS!

Step 1. Mount TV Rails to the back of the flat panel

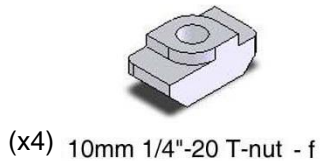
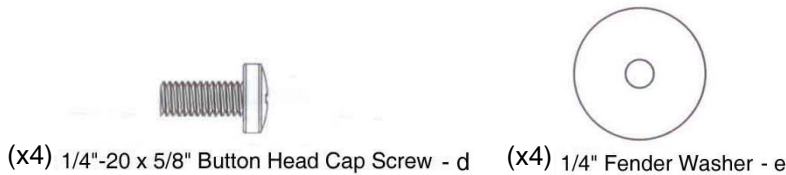
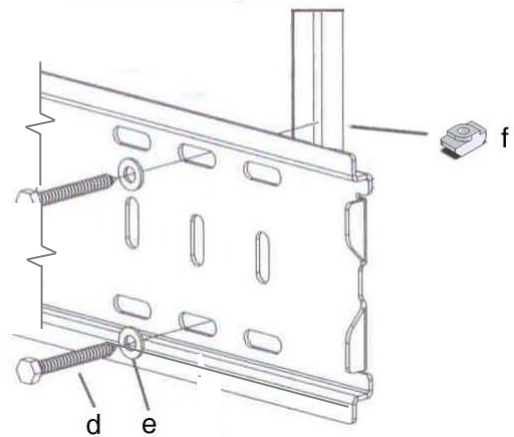
TV: Make sure the TV rails are mounted at an equal distance from the top of the TV and as close to centered as possible. Use same hole location on both rails. The M4 / M5 Washer should always be used with the M4 and M5 bolts so the head of the bolts can not pass through the holes in the TV rails. A 1/2" Plastic spacer is also provided for use with the M4 and M5 TV mount bolts and a 3/4" Plastic spacer is provided for use with the M6 and M8 TV mount bolts on TV's with curved or recessed back panels.

Plastic spacers are NOT needed for TV's with flat backs. Some TV's have shallow threaded inserts; we have provided 4 extra M4/M5 washers that may be added if the provided bolts are too long. **Make sure bolts are tight.**

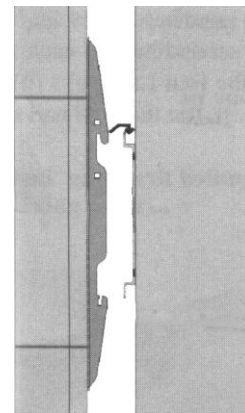


Step 2. Attach Wall Plate to Extrusions

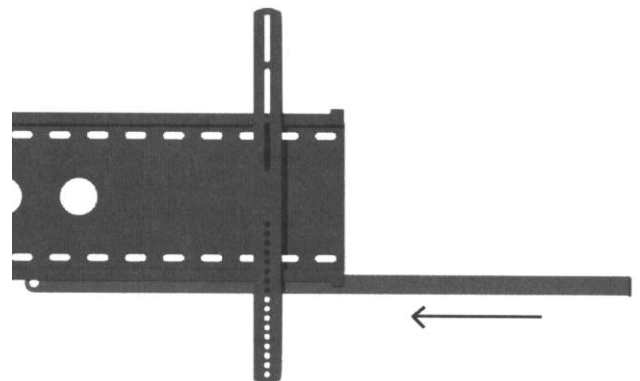
Tighten 1/4"-20 x 5/8" Button Head Cap Screw using 5/32" Hex Key.



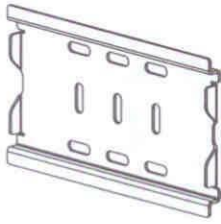
Step 3. Hang TV onto wall plate: First hook TV rails over the top of the wall plate, then let bottom of the TV rails rotate in under the bottom of the wall plate.



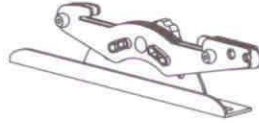
Step 4. Insert Safety Bar: Slide the safety bar into the slots in the bottom of the TV rails so that it sits behind the bottom tab on the Wall Plate as shown. The bend should face toward the wall. Once the bar passes out the other side of the Wall Plate a padlock can be added to the hole in the safety bar for added security.



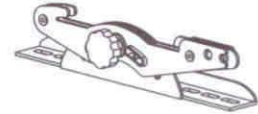
Supplied Parts and Hardware:



(1) Wall Plate - a



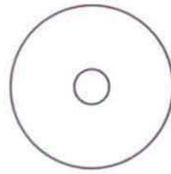
(1) Left Monitor Bracket - b



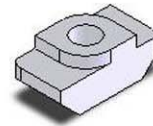
(1) Right Monitor Bracket - c



(2) 1/4"-20 x 5/8" Button Head Cap Screw - d



(2) 1/4" Fender Washer - e



(2) 10mm 1/4"-20 T-nut - f

TV Mounting Hardware:



(4) M4 x 10mm Screw - g



(4) M5 x 12mm Screw - h



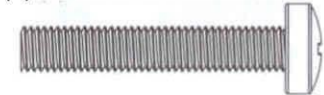
(4) M6 x 12mm Screw - i



(4) M4 x 30mm Screw - j



(4) M5 x 30mm Screw - k



(4) M6 x 35mm Screw - l



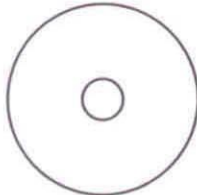
(4) M4 Lock Washer - m



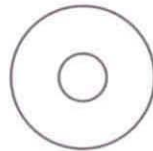
(4) M5 Lock Washer - n



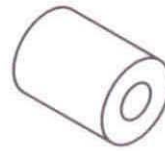
(4) M6 Lock Washer - o



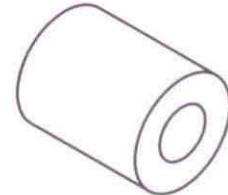
(4) M4/M5 Washer - p



(4) M6 Washer - q



(4) M4/M5 Spacer - r



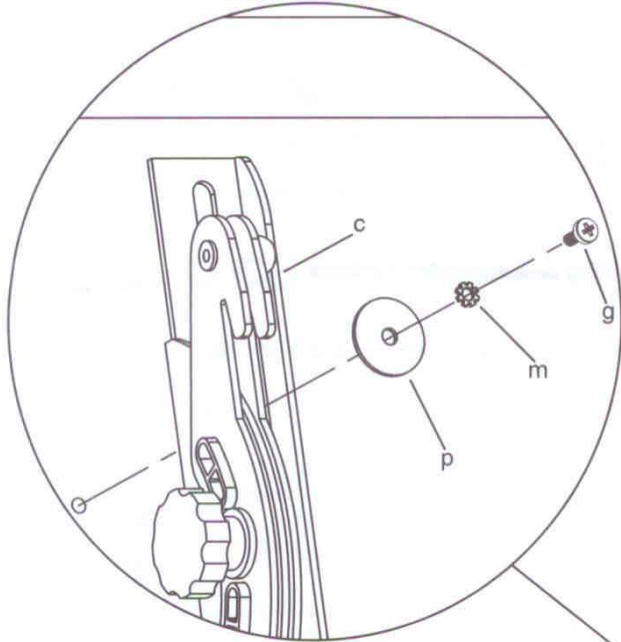
(4) M6 Spacer - s

Step 1: Mount Monitor Brackets to a television with a flat back

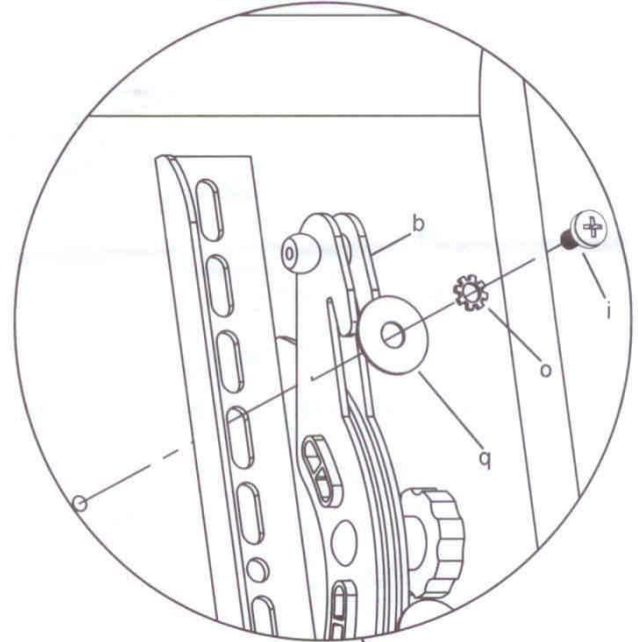
First, determine the diameter of the Bolt (g,h,i) your TV requires by hand threading them into the threaded insert on the back of the TV. If you encounter any resistance stop immediately! Once you have determined the correct diameter, see the appropriate Diagram below. You will thread the Bolt through the appropriate Lock Washer (m,n,o), the corresponding Washer (p,q), the Monitor Bracket (b,c), and finally into the TV. Make sure the Monitor Brackets are vertically centered and level with each other. See the appropriate Diagram below.

Note: For televisions with a curved back, or an obstruction near the threaded insert see Step 2.

M4 Diameter Bolt



M6 Diameter Bolt



M5 Diameter Bolt

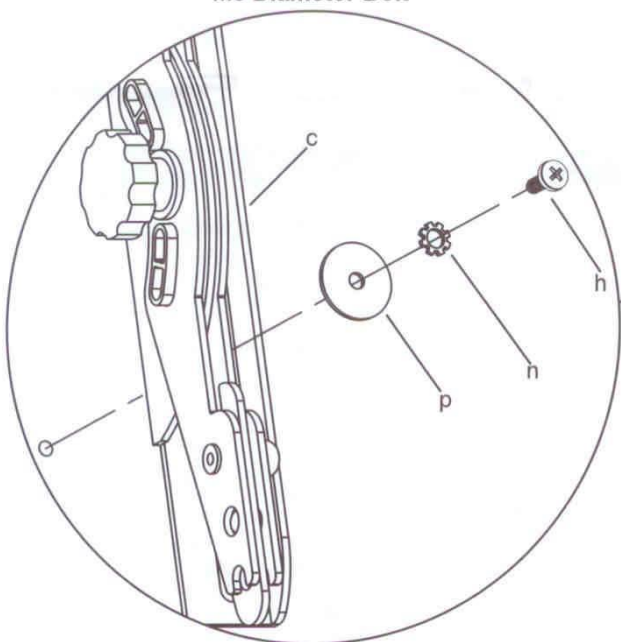
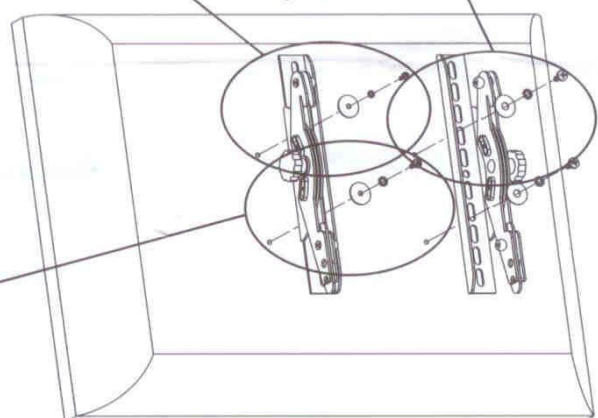


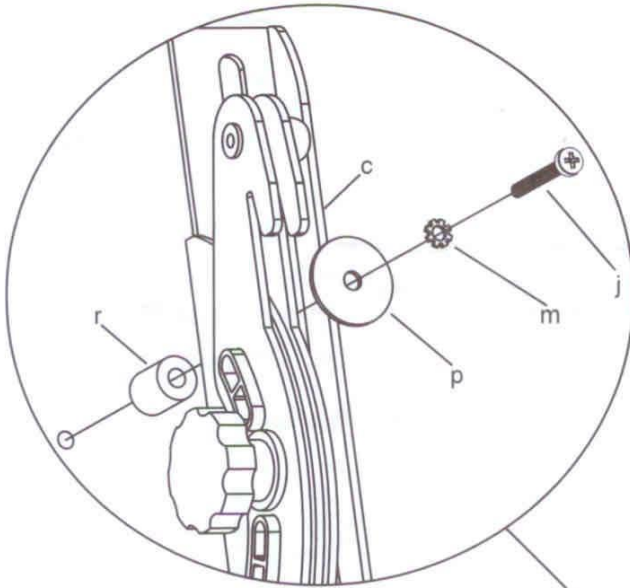
Diagram 1



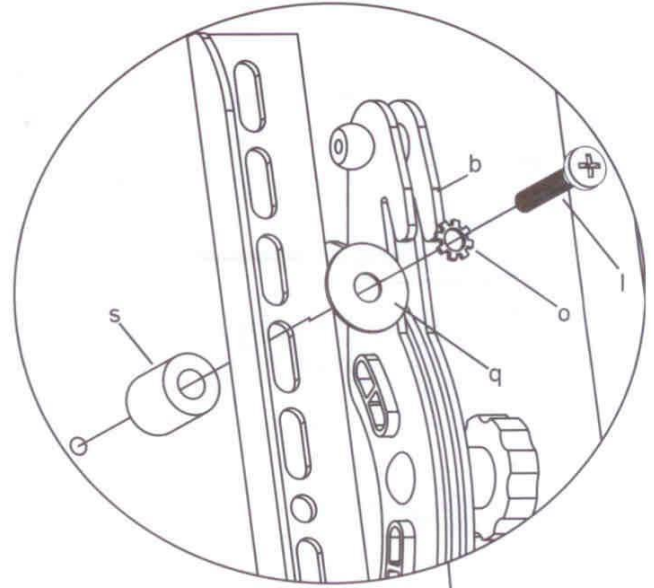
Step 2: Mount Monitor Brackets to a television with a curved back or an obstruction near the threaded insert

First, determine the diameter of the Bolt (j,k,l) your TV requires by hand threading them into the threaded insert on the back of the TV. If you encounter any resistance stop immediately! Once you have determined the correct diameter, see the appropriate Diagram below. You will thread the Bolt through the appropriate Lock Washer (m,n,o), the corresponding Washer (p,q), the Monitor Bracket (b,c), a Spacer (r,s), and finally into the TV. Make sure the Monitor Brackets are vertically centered and level with each other. See the appropriate Diagram below.

M4 Diameter Bolt



M6 Diameter Bolt



M5 Diameter Bolt

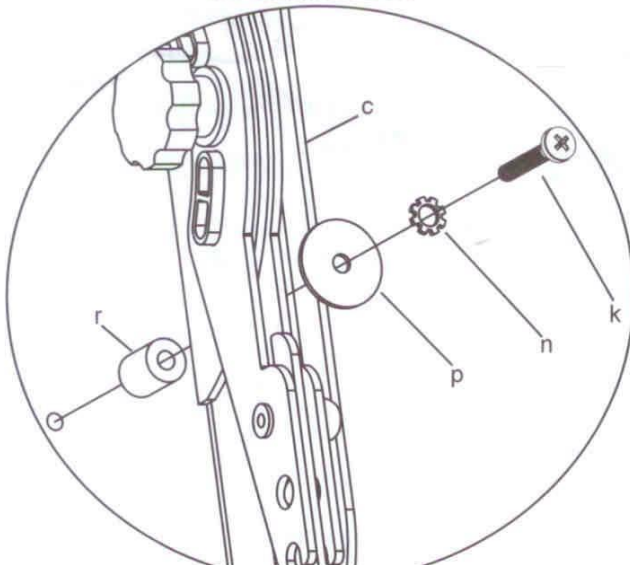
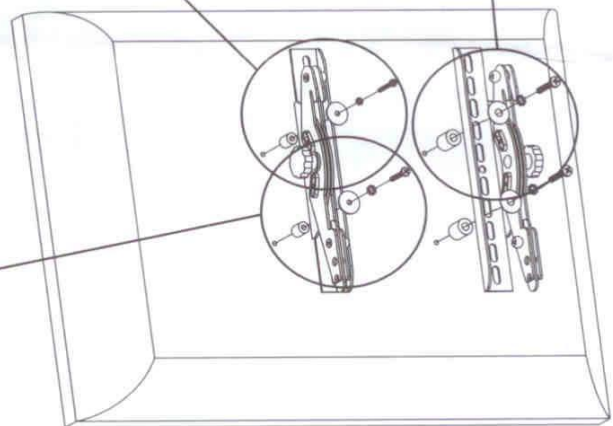
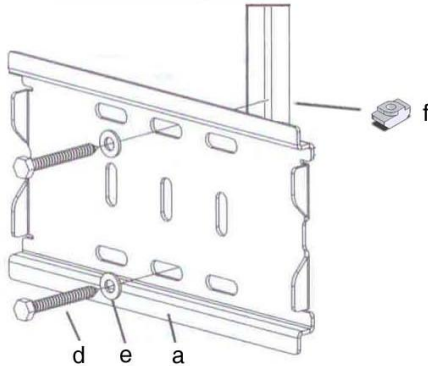


Diagram 2



Step 3: Attach Wall Plate to Extrusion

Tighten 1/4"-20 x 5/8" Button Head Cap Screw using 5/32" hex key



Step 4: Attach Monitor to Wall Plate

Rotate the latch handle into its most open position and hang the hooks of the Left and Right Monitor Brackets (b,c) over the tab on the top of the Wall Plate (a) as shown in Diagram 4a. Once the Monitor Brackets are attached to the Wall Plate, rotate the latch handles on each Monitor Bracket until they click into place. The tip of the latch handle should now be tucked up behind the tab on the bottom of the Wall Plate as shown in the Detailed View of Diagram 4b. You may place a pad lock through the hole in the bottom of the latch handle if you wish to add security to the installation.

