

Blade LX

BLD-LX-GRY

Sleek styling coupled with the latest banner stand technology makes the Blade LX lightweight, portable and very easy to use.



features and benefits:

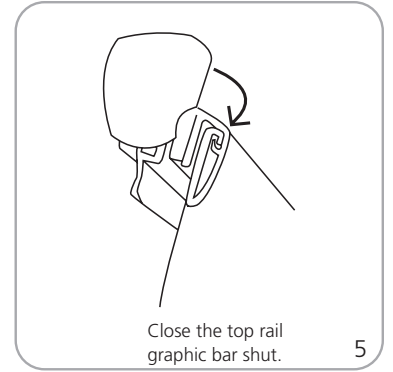
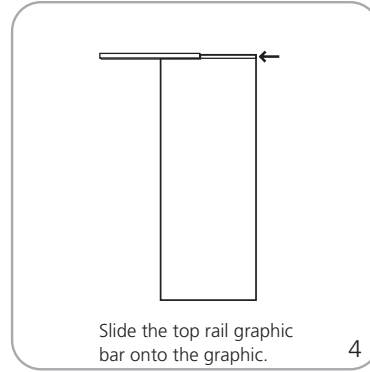
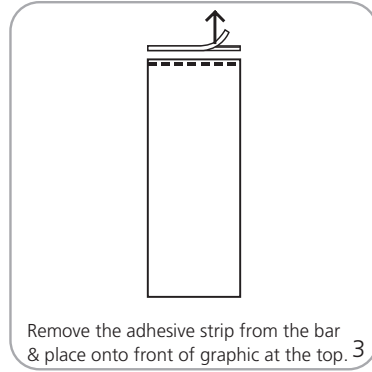
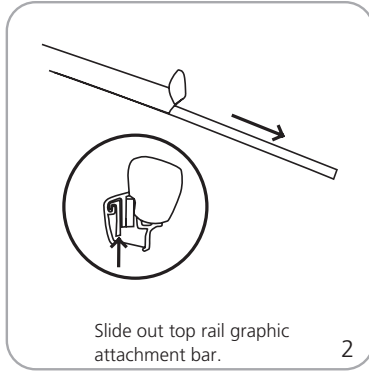
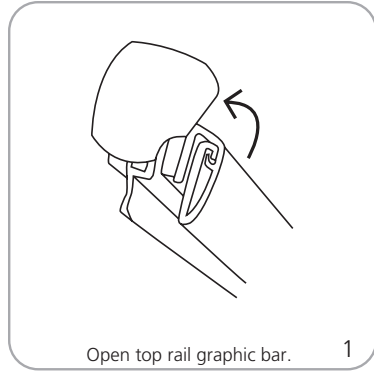
- Easy roller access via flip-top lid
- Removable self-locking graphic roller mechanism
- Quick change graphic slider
- Adjustable feet on base
- 3-piece bungee cord pole and premium snap top rail
- Comes with quality bag for storage and transportation
- Five year limited hardware warranty against manufacturer defects

dimensions

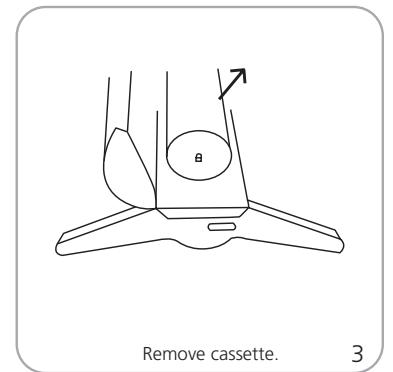
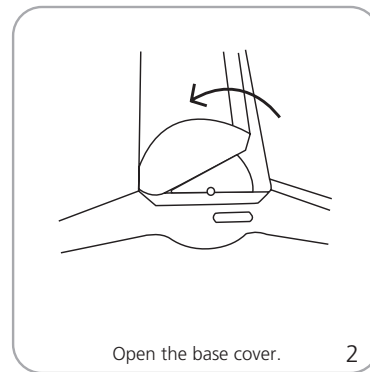
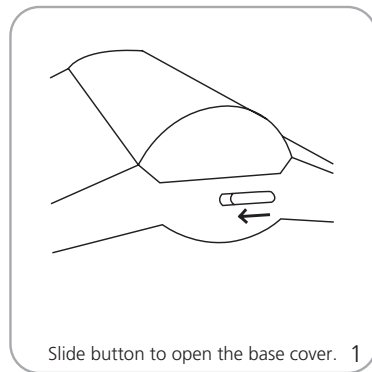
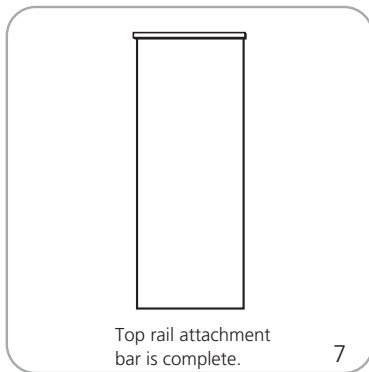
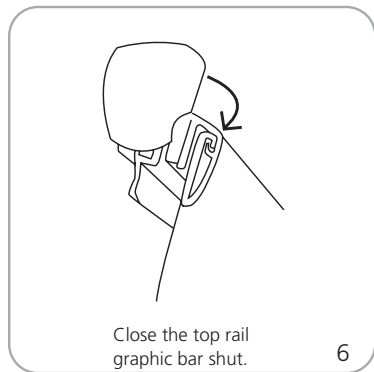
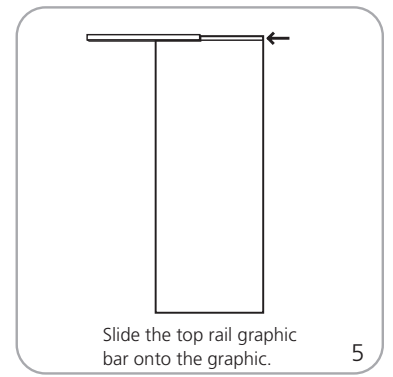
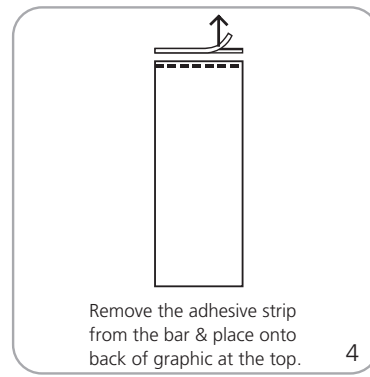
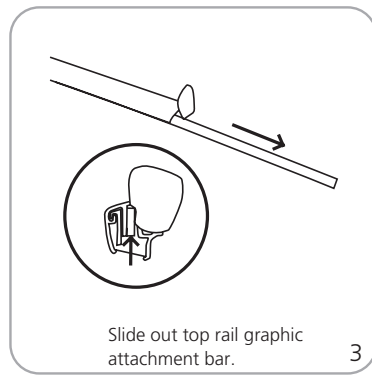
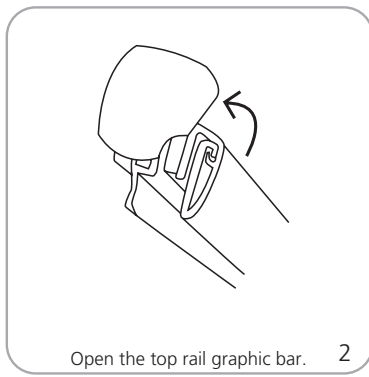
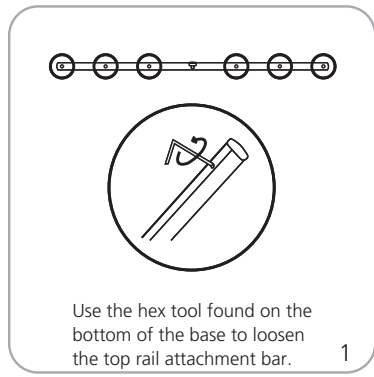
Hardware	Graphic
<p>Pole height: 85.5" / 2171.7mm (1.25" / 31.75mm slide into base)</p> <p>Base dimensions: 35.25"(w) x 3"(h) x 8.625"(d) approx. 895.35mm(w) x 76.2mm(h) x 219mm(d) approx.</p> <p>Approximate weight: (including carry bag) 9.45 lbs / 4.29 kgs</p>	<p>Total Visual Area: 33.5"(w) x 83.25(h) 850.9mm(w) x 2114.55mm(h)</p> <p>Graphic: Add 3/4" (24mm) bleed to top and 12" (304.8mm) bleed to base of graphic to allow for roller mechanism</p> <p>Refer to related graphic templates for more information</p>
Shipping	
<p>Shipping dimensions: 39"(l) x 12"(w) x 6"(h) 990.6mm(l) x 304.8mm(w) x 152.4mm(h)</p> <p>Approximate shipping weight 13 lbs / 5.9 kgs</p>	
additional information:	
<p>Graphic material: 14 oz. anti-curl vinyl, premium 100% opaque fabric, 11 mil melenex</p> <p>Included in kit: Base, top rail, roller mechanism, bungee pole & carry bag</p>	<p>Bag dimensions: 35.5"(l) x 10"(w) x 4"(h) 902mm(l) x 254mm(w) x 102mm(h)</p> <p>Lumina 2 is recommended as lighting source</p> <p>Optional lighting available</p>

We are continually improving and modifying our product range and reserve the right to vary the specifications without prior notice. All dimensions and weights quoted are approximate and we accept no responsibility for variance. E&OE. See Graphic Templates for graphic bleed specifications.

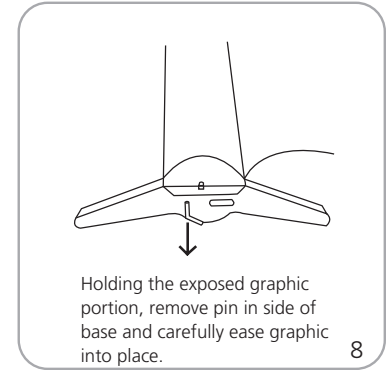
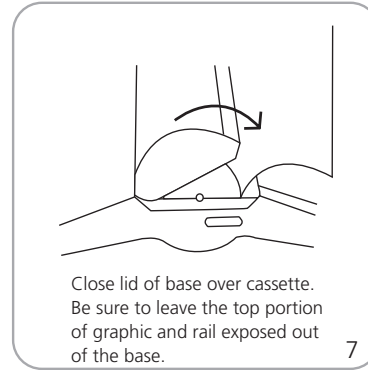
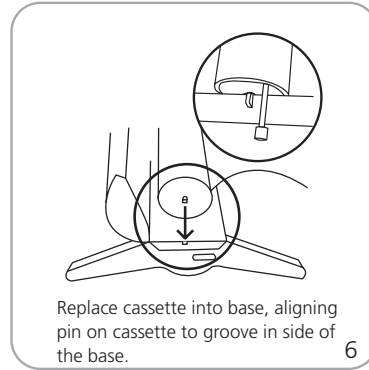
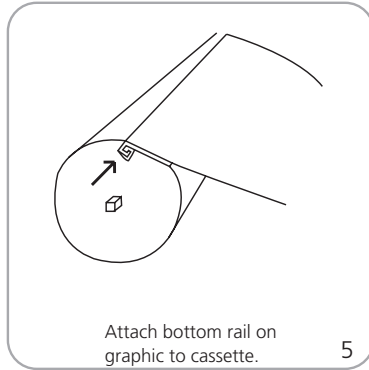
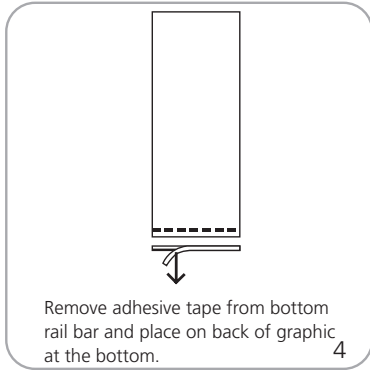
Adhesive Top Rail Attachment



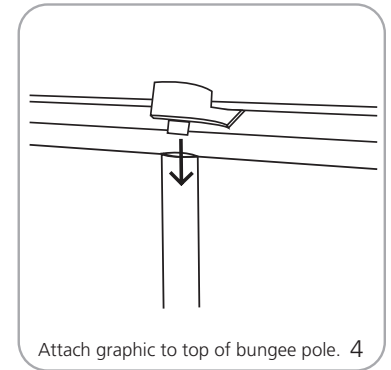
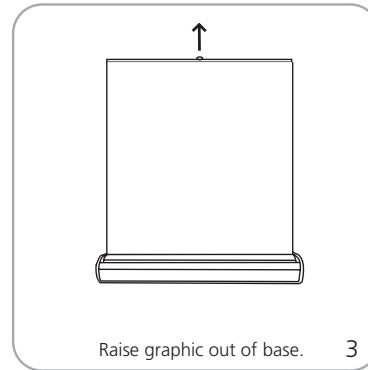
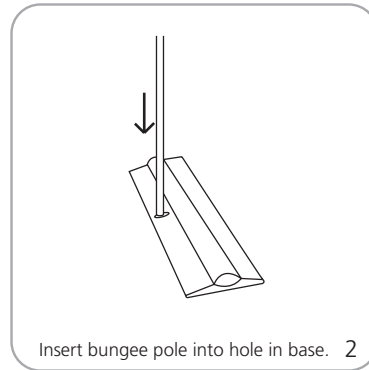
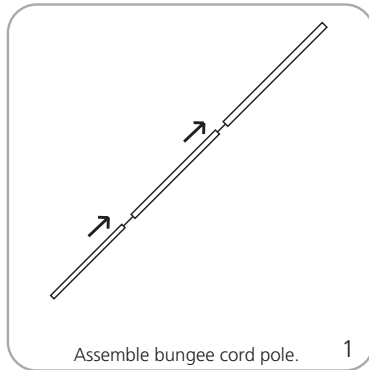
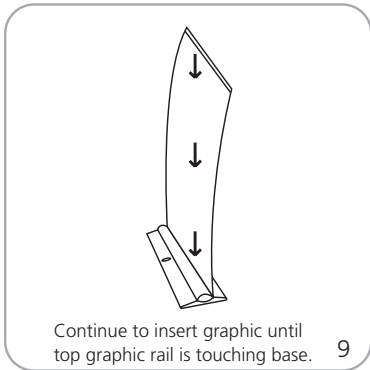
Grippa Top Rail Attachment



Bottom Graphic Attachment - Cassette



Banner Stand Assembly



Retensioning

