

HopUp Counter

This counter mimics the traditional HopUp construction and assembly making it easy to use. The fabric graphic attaches easily and stays on for easy storage. With four different tabletop counter colors to choose from, the hopup counter is the perfect addition to any area.



Features and Benefits

- Quick to set up
- Easy to store and ship
- Hinged top
- Collapses to a fraction of its size
- Supports 50 lbs. 22.68kg

Display Dimensions

Total Display Dimensions: 39.5" w x 15.5" d x 36" t 1003.3mm w x 393.7mm d x 914.4mm t

Base Dimensions: 35" t x 35.25" w x 12.5" d 889mm w x 895.4mm w x 317.5mm d

Counter Top Dimensions: 39.5" w x 15.5" d x .75" t (counter hinged in half) 1003.3mm w x 393.7mm d x 19mm t

Shelf Dimensions: 32" w x 12" d (shelf split in two pieces) 812.8mm w x 304.8mm d

Weight of Counter: 20 lbs 9.07kg

Additional Information

Shipping Dimensions:

Ships in a box: 22" x 16" x 13" 558.8mm x 406.4mm x 330.2mm

*Must keep all packaging and continue to reuse it as it protects the counter

Shipping Weight: 25.1 lbs 11.4kg

Total Graphics: 62.75" w x 34.25" h 4593.9mm w x 869.9mm h

Endcap Graphic: 14.25" w x 34.25" h 361.95mm w x 869.9mm h

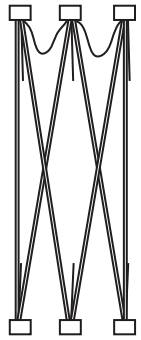
Front Visual: 34.25" w x 34.25" h 869.9mm w x 869.9mm h

Counter can support: 50 lbs max 22.7 kg

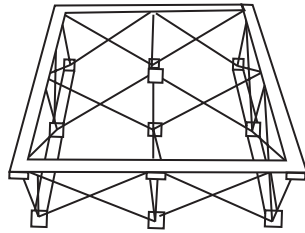
Internal shelves can each support: 5 lbs max 2.3 kg

HopUp Counter Assembly

1

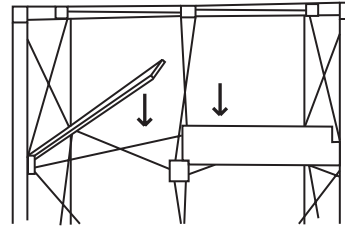


2

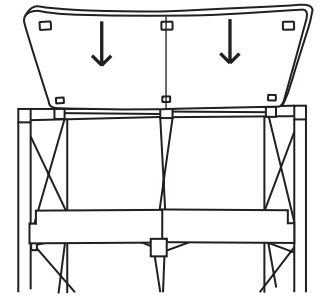


lay flat and push down
on non carpeted surface

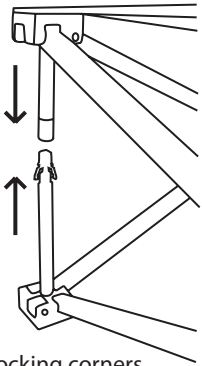
7



8

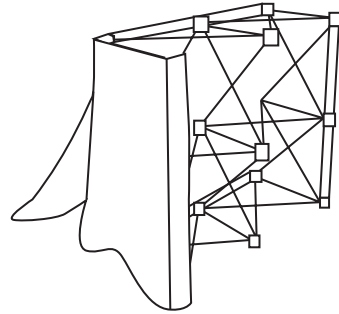


3

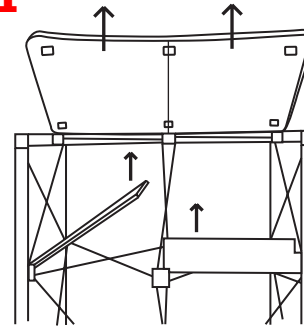


start by locking corners

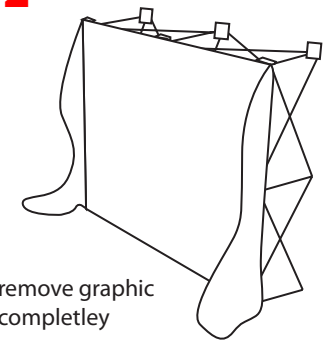
4



1

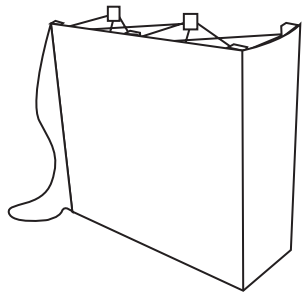


2

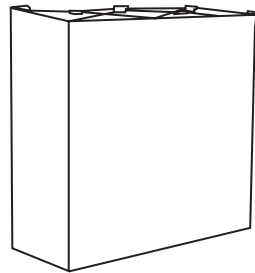


remove graphic
completley

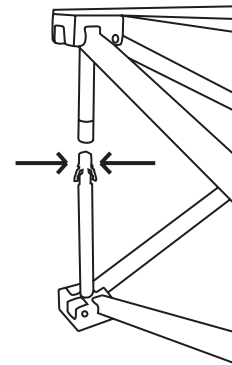
5



6



3



4

