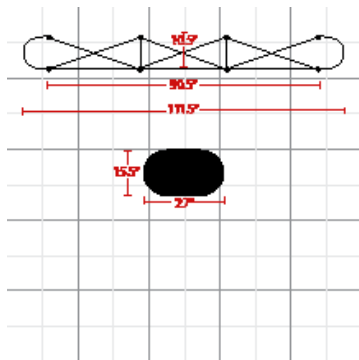


STRAIGHT 9FT GRAPHIC PACKAGE

Graphic Package



*Podium graphic is optional.



The box represents 10'x10' booth.

Product Features

All packages include:

- (1) Extruded Aluminum Frame
- (18) Channel Bars
- (2) 150 Watt Halogen Lights
- (2) Graphic End Panels
- (3) Center Panels
- (1) Case to Counter Conversion Kit

Height	7' 4"
Width	9'
Podium Case	38.5"H x 27.5"W x 15.75"D

Graphic Finishing

Magnetic strips all around and hanging hardware on top and bottom

Material	12 Mil Titanium Blockout Film 10 Mil Polycarbonate Overlamine
----------	--

Construction

Frame	Aluminum frame
Panels	Laminated panels w/ magnetic strips
Bars	Aluminum channel bars w/ magnetic strips
Podium Case	(1) Case - Black heavy duty blow molding technology construction (2) Reliable built-in wheels (2) Easy grip molded handles (top and side) for easy maneuvering (4) Lockable turning latches

Weights - Dimensions

Shipping Weight	95 lbs
Shipping Dimensions	40" x 28" x 18"

Parts List

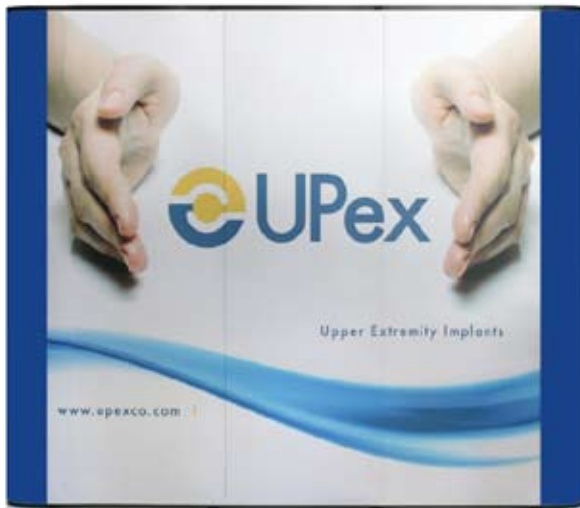
(6) Horizontal channel bars	(2) 150watt halogen lights
(1) Aluminum frame w/bag	(1) Podium wrap
(14) Silver channel bars	(1) Lid fabric
(4) Black channel bars	(1) Repair kit
(1) Podium case w/ lid	(3) Graphic center panels
(1) Instruction sheet	(2) Graphic end panels
(1) Channel bar bag	

Graphic Specification

Graphic Size: 140"w x 88.98"

STRAIGHT 9FT CENTER PACKAGE

Center Package



*Podium graphic is optional.

Fabric End Panel Color Options

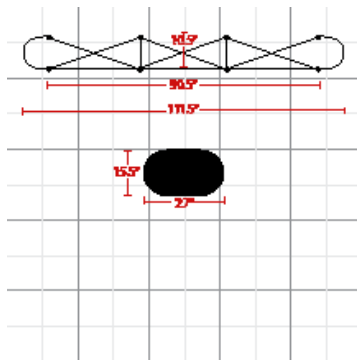
Coal
PMS Black c



Imperial
PMS 281c



Silver
PMS 423c



The box represents 10'x10' booth.

Product Features

All packages include:

- (1) Extruded Aluminum Frame
- (18) Channel Bars
- (2) 150 Watt Halogen Lights
- (2) Velcro Receptive Fabric End Panels
- (3) Graphic Center Panels
- (1) Case to Counter Conversion Kit

Height	7' 4"
Width	9'
Podium Case	38.5"H x 27.5"W x 15.75"D

Graphic Finishing

Magnetic strips all around and hanging hardware on top and bottom

Material	12 Mil Titanium Blockout Film 10 Mil Polycarbonate Overlaminate
----------	--

Construction

Frame	Aluminum frame w/ plastic connectors
Panels	Laminated panels and Velcro receptive fabric panels w/ magnetic strips
Bars	Aluminum channel bars w/ magnetic strips
Podium Case	(1) Case - Black heavy duty blow molding technology construction (2) Reliable built-in wheels (2) Easy grip molded handles (top and side) for easy maneuvering (4) Lockable turning latches

Weights - Dimensions

Shipping Weight	95 lbs
Shipping Dimensions	40" x 28" x 18"

Parts List

(6) Horizontal channel bars	(2) 150watt halogen lights
(1) Aluminum frame w/bag	(1) Podium wrap
(14) Silver channel bars	(1) Lid fabric
(4) Black channel bars	(1) Repair kit
(1) Podium case w/ lid	(3) Graphic center panels
(1) Instruction sheet	(2) Fabric end panels
(1) Channel bar bag	

Graphic Specification

Graphic Size: 88.6"w x 88.98"

STRAIGHT 9FT FABRIC PACKAGE

Center Package



Fabric Panel Color Options

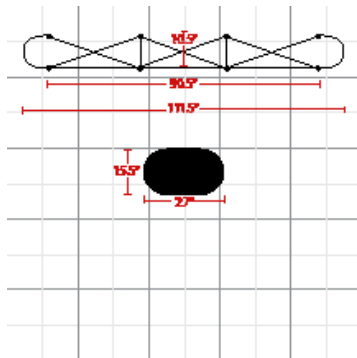
Coal
PMS Black c



Imperial
PMS 281c



Silver
PMS 423c



The box represents 10'x10' booth.

Product Features

All packages include:

- (1) Extruded Aluminum Frame
- (18) Channel Bars
- (2) 150 Watt Halogen Lights
- (2) Velcro Receptive Fabric End Panels
- (3) Velcro Receptive Graphic Center Panels
- (1) Case to Counter Conversion Kit

Display Height	7'4"
Display Width	9'
Podium Case	38.5"H x 27.5"W x 15.75"D

Finishing

Magnetic strips all around and hanging hardware on top and bottom

Material	Velcro receptive fabric
----------	-------------------------

Construction

Frame	Aluminum frame
Panels	Velcro receptive fabric panels w/ magnetic strips
Bars	Aluminum channel bars w/ magnetic strips
Podium Case	(1) Case - Black heavy duty blow molding technology construction (2) Reliable built-in wheels (2) Easy grip molded handles (top and side) for easy maneuvering (4) Lockable turning latches

Weights - Dimensions

Shipping Weight	95 lbs
Shipping Dimensions	40" x 28" x 18"

Parts List

(6) Horizontal channel bars	(2) 150watt halogen lights
(1) Aluminum frame w/bag	(1) Podium wrap
(14) Silver channel bars	(1) Lid fabric
(4) Black channel bars	(1) Repair kit
(1) Podium case w/ lid	(3) Fabric center panels
(1) Instruction sheet	(2) Fabric end panels
(1) Channel bar bag	