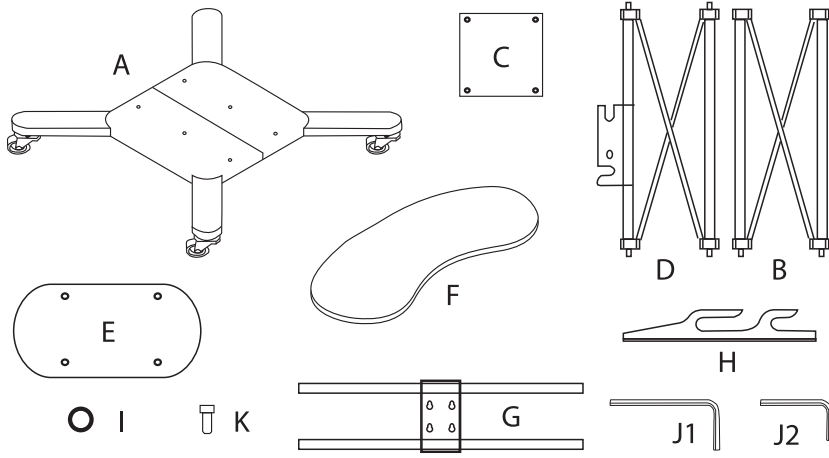
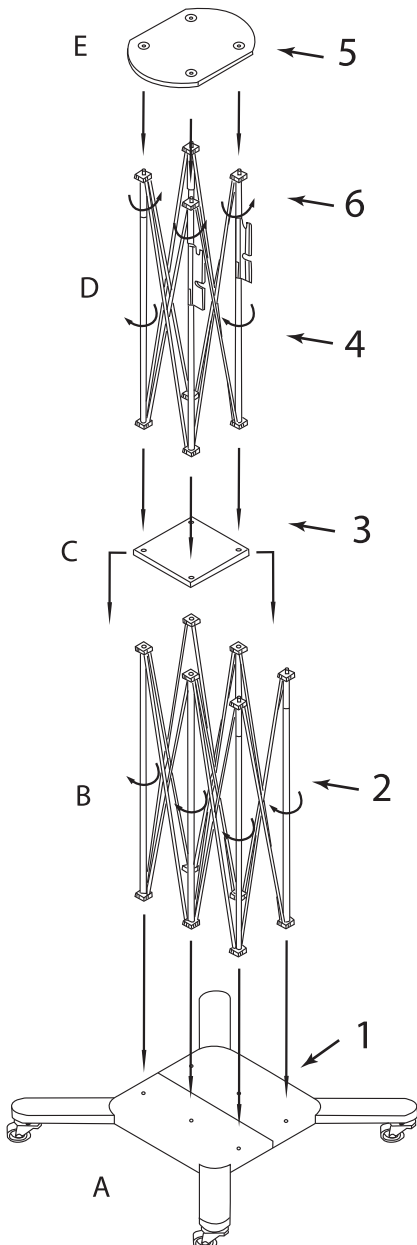


CiERA EZ FOLD WORKSTATION TV STAND

Thank you for purchasing the CiERA EZ Fold Workstation™ mobile TV Stand. Our folding truss stand is designed to accommodate flat panel TV's from 37 to 72" diagonal weighing up to 80 pounds. No additional tools are required for assembly.



Part	ID	Qty
Base	A	1
Bottom Truss	B	1
Middle plate	C	1
Top Truss	D	1
Top	E	1
Table Panel	F	1
Rail	G	1
Brackets	H	2
O-rings	I	8
Allen Key	J1	1
Allen Key	J2	1
Bolts	K	6
Carry Bag	Not shown	1

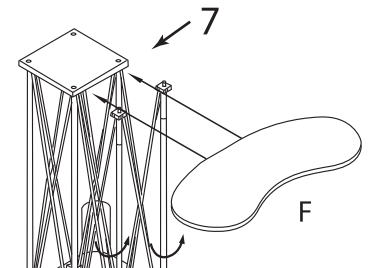


Step 1.

Unfold Base (A) and expand each Truss section (B & D). Assemble in order shown, steps 1-6. Figure 1. screw Truss sections, middle Plate (C) together by twisting uprights of each Truss clock-wise.

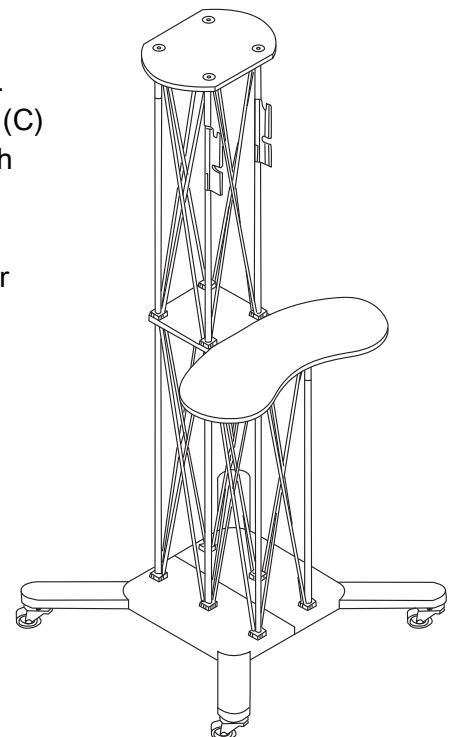
Place Top (E) on Truss (D) together by twisting uprights of each Truss counter clock-wise.

Checking all connections are tight enough before mounting the TV into the stand.

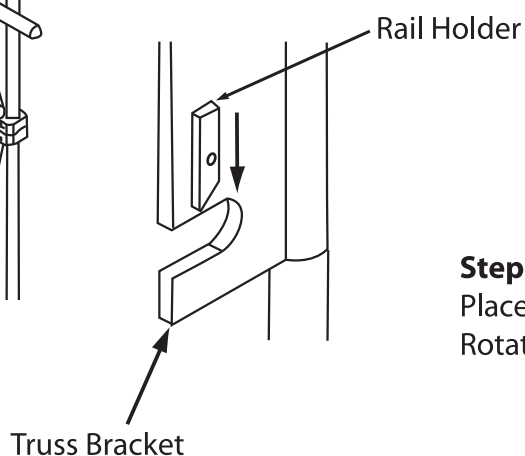
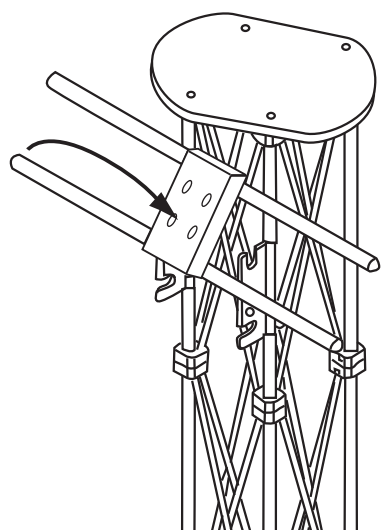


Step 2.

Connect the table panel (F) with Middle Plate (C), align and twist uprights counter clock-wise.

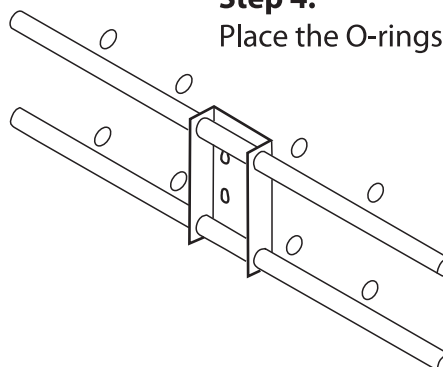


Stand Assembly Instruction



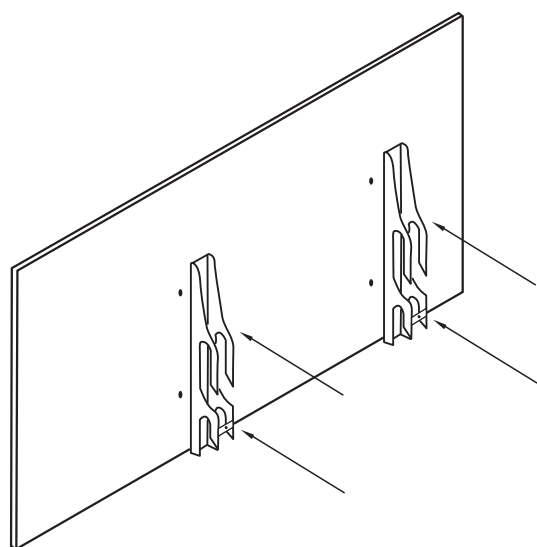
Step 4.

Place the O-rings (I) on Rail (G).



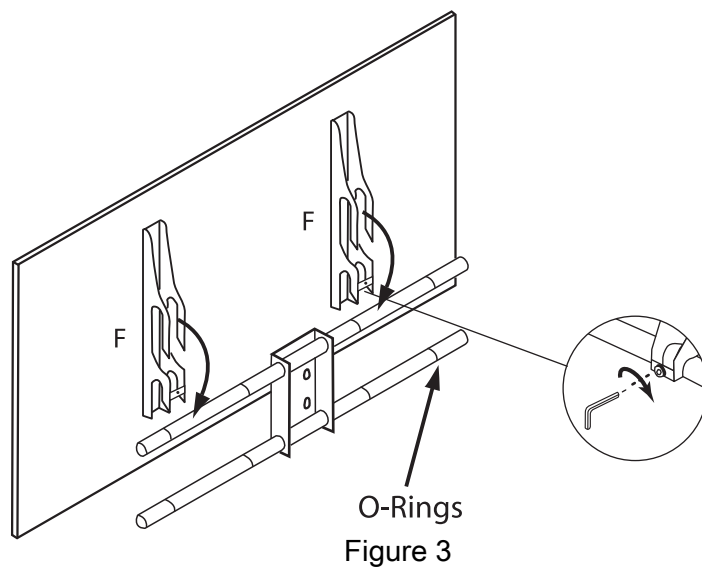
Step 5.

Place Rail (G) on brackets in Top Truss (D), Rotate the rails and place top rail in slot.



Step 6.

Mount Brackets (H) onto the back of the TV using bolts (K). Tighten Bolts with Allen Key(J1). DO NOT OVER TIGHTEN.



Step 7.

Use 2 people to lift and center TV, hooking Brackets (H) onto rail (G).

Tighten lock Bolts to secure. Figure 3.

Slide O-rings against each side of TV Brackets (H).