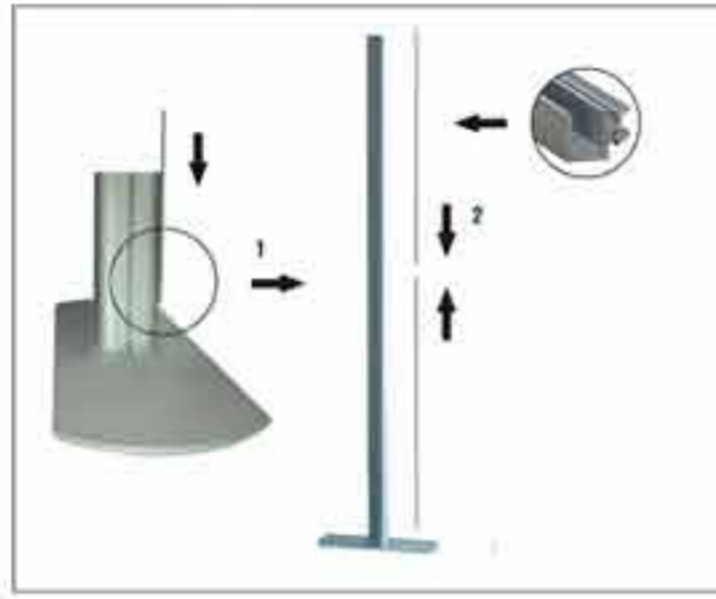


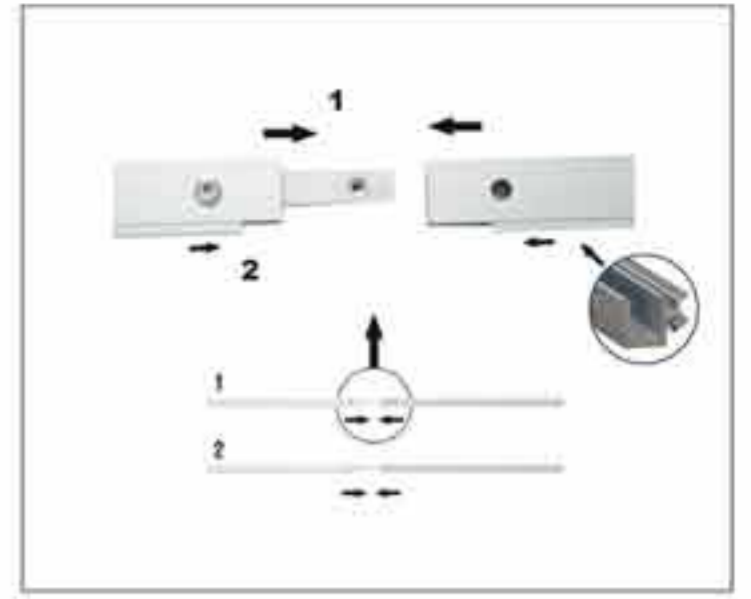
SETUP1

Install the base then slide the vertical pole sections onto the foot as shown.



SETUP2

Assemble the aluminum profile which can inlay printing.



SETUP3

Connect the rails.



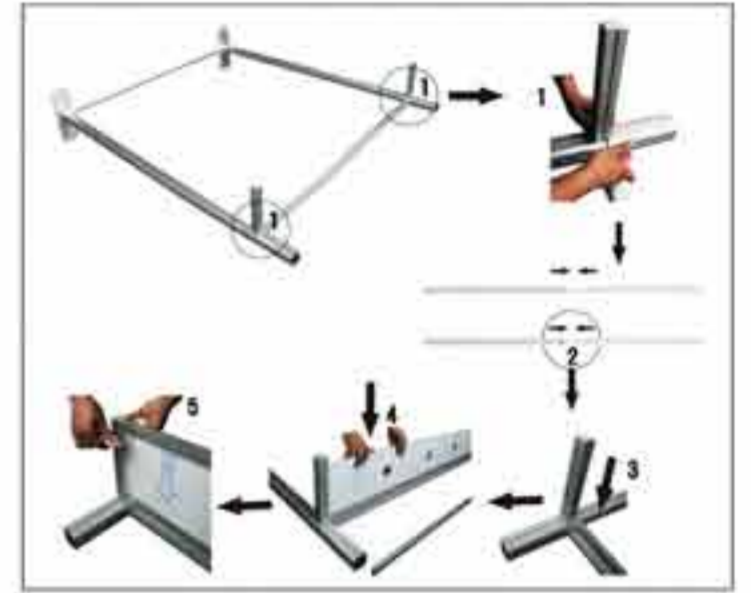
SETUP4

Connect the top and bottom rail using screw.



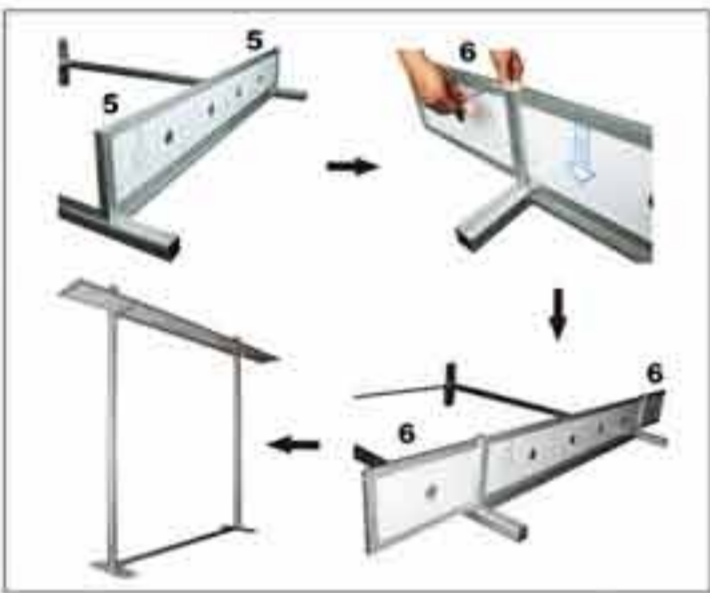
SETUP5

Finish the main profiles.



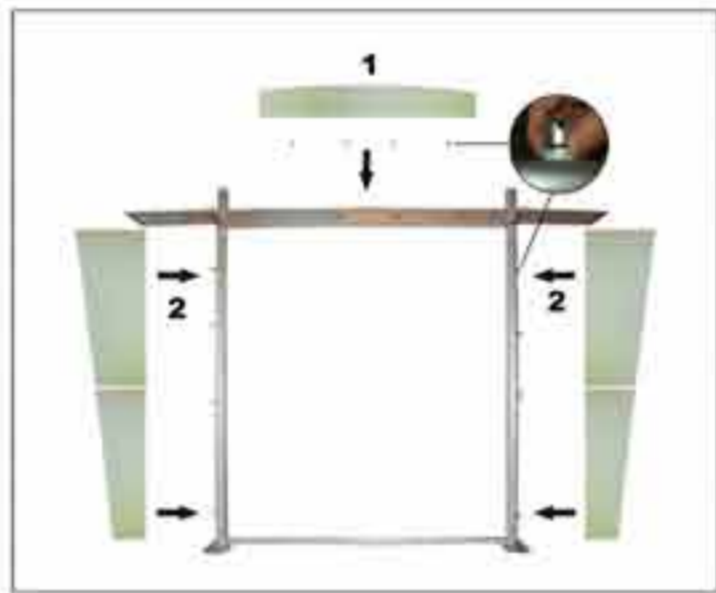
SETUP6

Connect roof profiles.



SETUP7

Install roof graphic and connecting supporting Profiles.



SETUP8

Install cap, board & decorative board.



SETUP9

Install printing.



SETUP10

Install the table shelf
Install the Lamp



SETUP11

Connect profile and table accessories then connect them to vertical pole.



SETUP12

Install the counter, table & LED (optional)