

# Uno

The Uno banner stand design is easily recognized as a market leader because of its versatility and ease of use. The all aluminum construction makes the durable Uno a great value. Available in three popular widths, all kits include a carry bag with graphic storage.



## Features and Benefits

- Quick to assemble and easy to use
- Powder coated black weighted base
- Variable height = 35"-85.5"
- 3 widths to chose from
- Includes carry bag

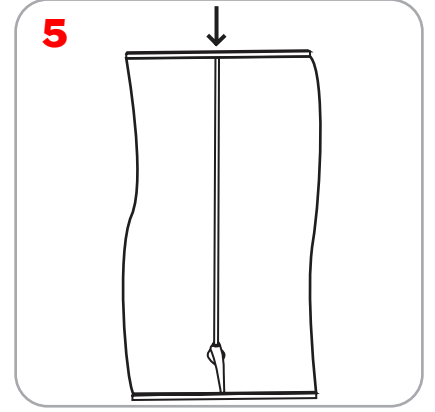
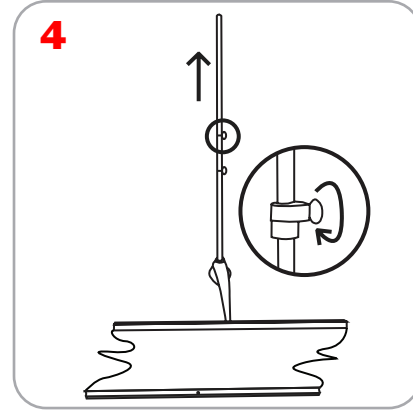
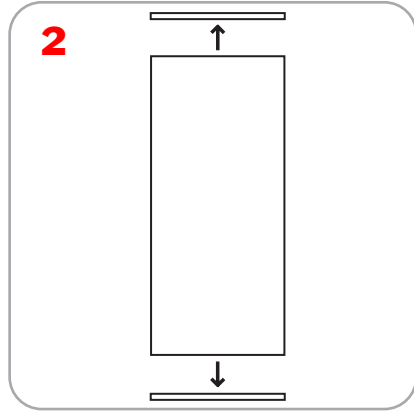
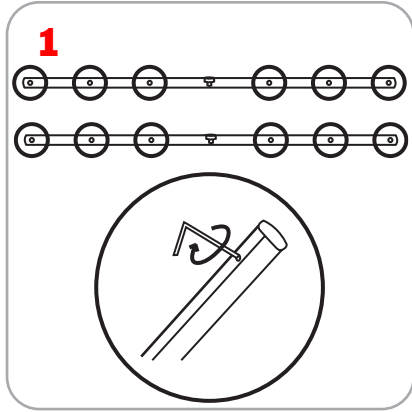
## Dimensions

Hardware Dimensions	Graphic Dimensions
<b>Uno:</b> 31.5" w x 35" - 86" h 800.1mm w x 889mm - 2184.4mm h <b>UnoMega:</b> 36" w x 35" - 86" h 914.4mm w x 889mm - 2184.4mm h <b>UnoMonster:</b> 48" w x 35" - 86" h 1219.2mm w x 889mm - 2184.4mm h  <b>Footprint:</b> Uno: 31.75" w x 14" d                      806.45mm w x 355.6mm d UnoMega: 36.25" w x 14" d              920.75mm w x 355.6mm d UnoMonster: 48.25" w x 14" d        1225.55mm w x 355.6mm d  <b>Weight:</b> 10lbs/4.56kg approx (includes carry bag)	<b>Uno:</b> 31.5" w x 34.5" - 85.5" h 800.1mm w x 876.3mm - 2171.7mm h <b>UnoMega:</b> 35.5" w x 34.5" - 85.5" h 901.7mm w x 876.3mm - 2171.7mm h <b>UnoMonster:</b> 48" w x 34.5" - 85.5" h 1219.2mm w x 876.3mm - 2171.7mm h  All graphics must have .25" (6.35mm) bleed at top and bottom

## Additional Information

<b>Shipping Dimensions:</b> Uno: 37" x 8" x 8" 939.8mm x 203.2 x 203.2 UnoMega: 39" x 7" x 7" 990.6mm x 177.8mm x 177.8mm UnoMonster: 51" x 8" x 7" 1295.4mm x 203.2mm x 177.8mm  <b>Shipping Weight:</b> Uno: 9 lbs / 4.08 kg UnoMega: 10 lbs / 4.54kg UnoMonster: 12 lbs / 5.44kg	<b>Recomended substrate:</b> 13 oz. smooth vinyl, 7 oz. light cotton, 14oz. ani-curl vinyl, 8 oz. oxford, melanex  <b>Included in Kit:</b> Base rail, top rail, telescopic pole, base, allen key and carry bag  <b>By putting three Uno's together you can create a mural. Contact your representative for more information.</b>
--	---

## Uno Graphic Attachment



## Uno Assembly

