

Telescopic 1



features & benefits

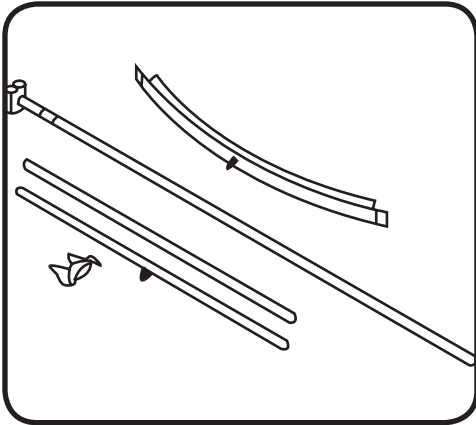
23.5" w double sided budget telescopic banner stand with bag

Silver: TEL-1

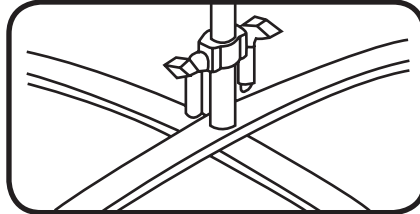
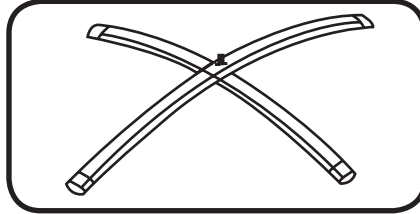
hardware specifications	graphic specifications	additional info
Max height: 77.75" Min Height 43.25" Width 24.5" Foot print: 23" x 23"	Max graphic size: 23.5" x 62" + 1/2" bleed on top and bottom	Shipping weight: 4 lbs. Shipping dim: 44" x 4" x 4"

We are continually improving and modifying our product range and reserve the right to vary the specifications without prior notice. All dimensions and weights quoted are approximate and we accept no responsibility for variance. E&OE.

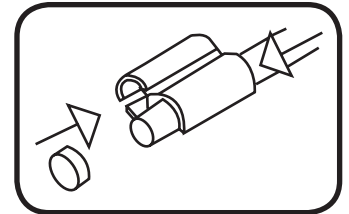
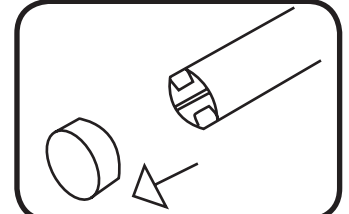
Assembly Instructions



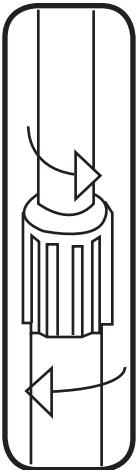
Remove Telescopic 1 from packaging



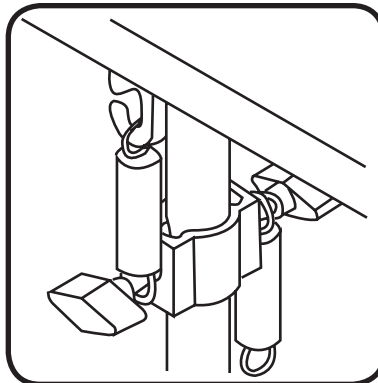
Open the swivel foot screw pole on to base



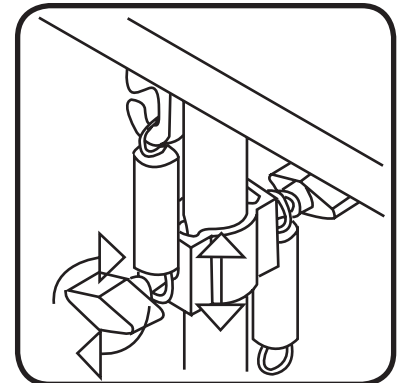
Remove the cap from one side of both top and bottom horizontal rails. Slide rail into doubler fitting



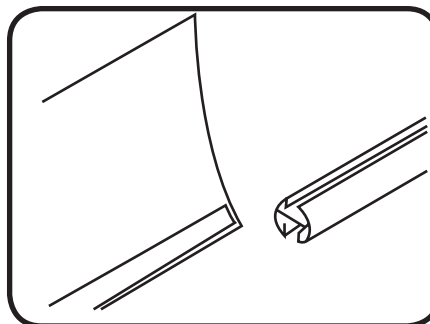
Twist top pole counter clockwise (do not twist plastic grip) too loosen. Adjust until able to slide pole up or down. Twist top pole (not plastic grip) clockwise to tighten.



Hook top loop of spring to hook on bottom graphic rail



Twist thumb screw at bottom of spring clockwise to raise or lower to adjust graphic tension. Twist counter clockwise to tighten. Repeat steps for double sided display.



Graphic fitting instructions: Unit comes with a plastic leader strip. Stick the plastic strip to the backside of the banner using double sided tape (not included.) Insert the mounted graphic through the middle of the rail allowing the graphic to run the width of the unit through the slit in the rail.