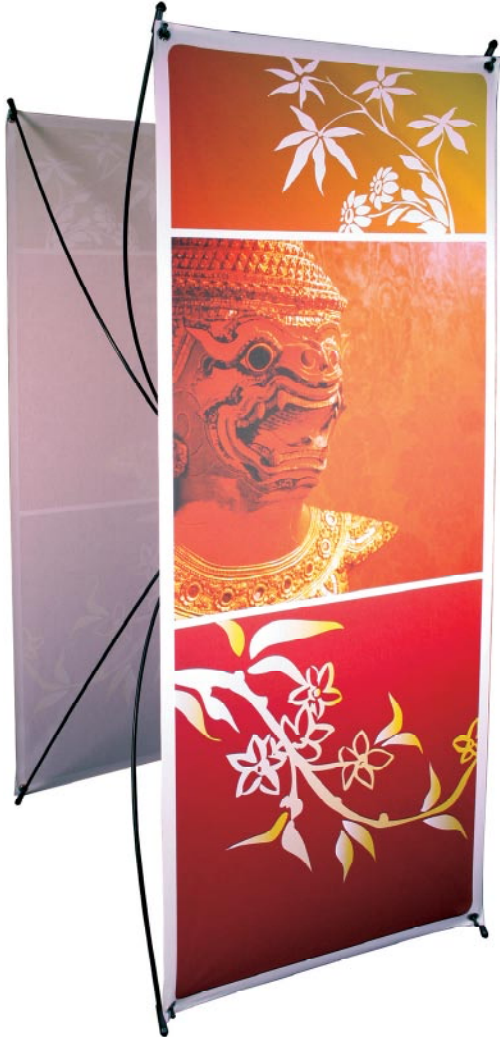


Spring 3



features & benefits

*The Spring 3 is a superb general purpose tensioned banner stand. Quick and easy to erect, this item offers both ease of use and great value for money. Single or double sided vinyl banner stand w/ bag. Uses #3 grommets
Black: SB-3*

hardware specifications

Color: black
29.5"w x 72.75"h
Profile of base: 19"d x 29.5"w x 73"t
Height: 73"

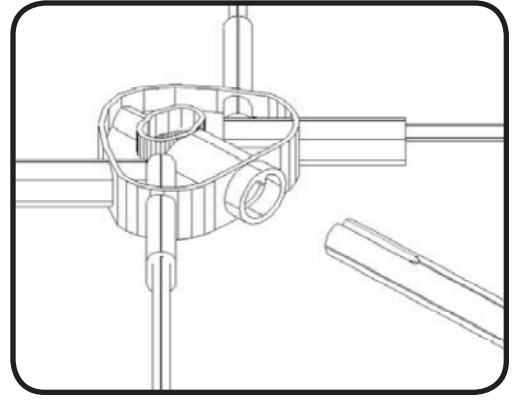
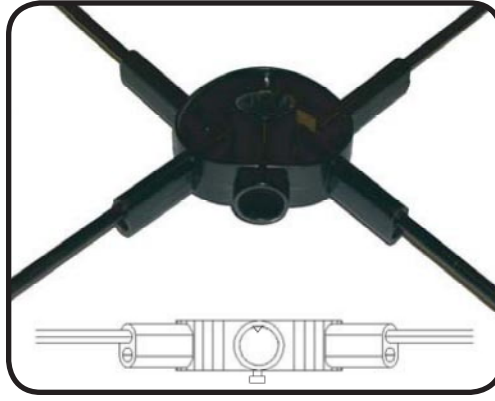
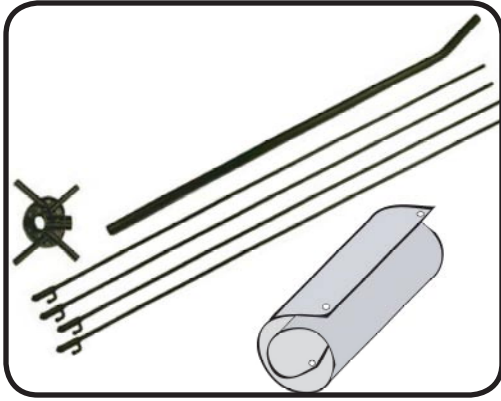
graphic specifications

27.5" x 70.75" #3 grommets in corners.
Graphic type: Vinyl .012" (12 mil) recommended

additional info

Shipping weight: 4 lbs.
Shipping dim: 14" x 9" x 5"
Bag: black
#3 grommet (.4375" hole size)

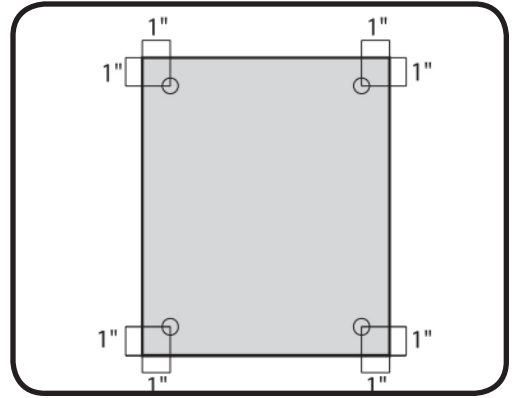
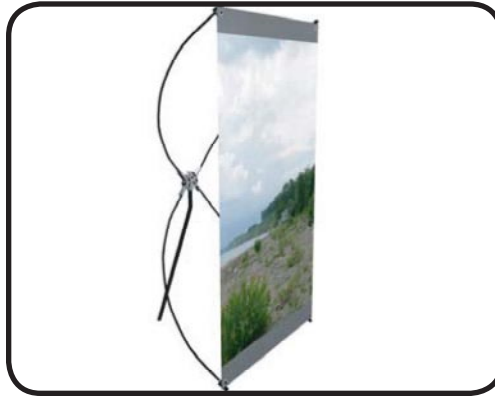
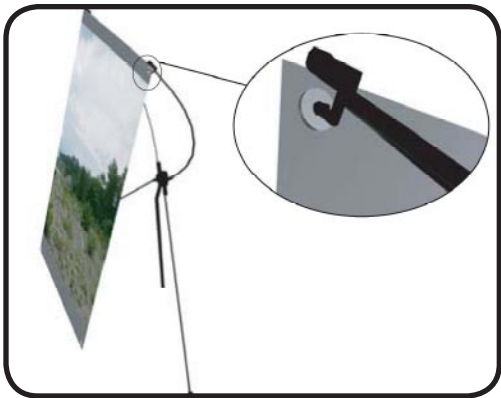
Assembly Instructions



Remove the product from the outer packaging and bag.

Insert the four poles into the holes in the hub. Make sure the poles are in all four arms of the hub and through the holes opposite from the side with the thumb screw.

Insert the leg into the hub. Tighten the thumb screw to secure the leg.



Bend the top poles so the hooks fit into the top grommets. Make sure the hooks fit securely through the grommets.

Insert the hooks into the bottom grommets. Your product is now complete

Reverse the procedure to disassemble